

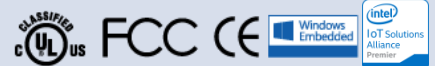
# MIT-W101

## 10" Medical Tablet PC with Intel® Celeron® Processor



### Features

- Intel® Celeron® N2930 Quad Core processor
- Supports Windows 8 Operating System
- 10.1" WXGA, Projective Capacitive Multi Touch Display
- -10°C to 50°C (14°F to 122°F), IP65, MIL-STD 810G / 4ft drop compliant
- Compact/Slim Design: 20mm/0.79inch height
- Seamless Communications, Including Wi-Fi, BT, NFC
- Warm Swappable Battery
- Optional Integrated 1D/2D Barcode Scanner and Expansion Module (MSR+SMC)
- Optional Accessories include: 6ft Drop Rugged Bumpers, Docking Station, Rear Hand Strap, and Kickstand



### Introduction

The Advantech Mobile Computing team provides **medical tablet PC** which is built specifically for patient care environments. Powered by the new-generation Intel® processor, the **MIT-W101** is equipped with 10.1" 1280 x 800 resolution screen with projected capacitive touch and designed with high-performance, durability and security to help medical personnel to obtain real-time information of patients, improving work efficiency. The **MIT-W101** also offers a wide variety of optional accessories, such as rear hand strap, kickstand, and capacitive pen w/ tethering cord, etc.

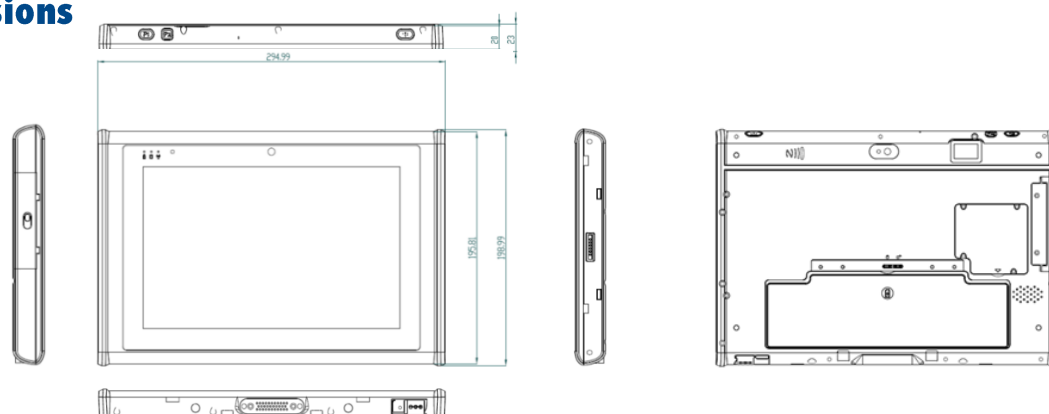
### Specifications

Computing System	CPU	Intel® Celeron® Processor N2930
	Max. Speed	Quad Core 1.83GHz
	Memory	DDR3L 1066MHz SODIMM (Default 4GB/ Up to 8GB)
	Operating System	Microsoft Windows Embedded 8 (Default) Microsoft Windows Embedded 7 (Optional)
Storage	SSD	1 x mSATA SSD (Default 64GB/ support up to 128GB)
Display	Display Type	10.1" TFT LCD Panel
	Max. Resolution	1280 x 800
	Touch Type	Projected Capacitive Multi-Touch
	Glass Type	Enhanced Glass
Communication	WIFI	Wireless IEEE 802.11a/b/g/n
	Bluetooth	Bluetooth v4.0 CLASS II
	NFC	Read/Write Device Compatible With ISO15693, ISO14443A, ISO14443B, Felica
Audio		Internal speaker x1, Internal Mono Microphone x1
Connectivity	I/O Port Interfaces	Combo Audio x1, USB 3.0 x1, USB 2.0 x1, Micro HDMI x1, DC Jack x1, Expansion Port x1, Docking Port x1
	Embedded I/O Devices	2.0M Fixed Focus Camera At Front 5.0M Auto Focus Camera With LED Flash At Rear 1D/2D Barcode Scanner (Optional)
Expansion Module		MSR + Smart Card Reader (Optional)
Control Buttons		Power Button, Programmable Button x2
System Indicators		Power/ Battery Status x1, HDD x1, Wireless /BT x1
Ingress Protection	Water / Dust Resistance	IP-65
Power Supply	AC Adapter In	100 – 240 V ~ 1.5A 50/60 Hz
	AC Adapter Out	18 V, 3.5 A Max, 63W
	Battery Capacity	Main Battery: 31.7 Whrs (11.1V 2860mAh) Extended Battery: 49 Whrs (11.1V 4540mAh) (Optional)

## Specifications Cont.

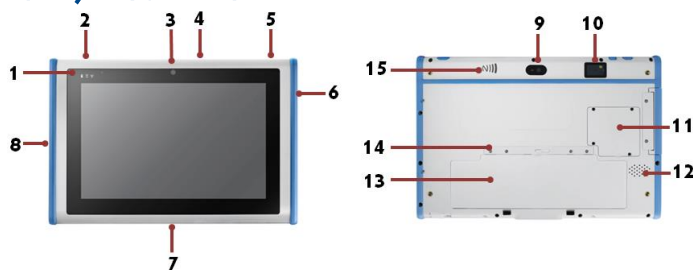
Environment	Temperature	Operating: -10°C ~ 50°C/ 14°F ~ 122°F (0°C ~ 35°C for medical cert.) Storage: -30°C ~ 70°C/ -22°F ~ 158°F
	Humidity	Operating: 5% ~ 95% @ 40°C/104°F non-condensing, Storage: 5% ~ 95% @40°C/104°F non-condensing
	Vibration	Operation: (5-500GHz) 1G Non-operating: (5-500GHz) 0.04PSD
	Shock Resistance	Operating: 20G, 11ms, Non-operating: 40G, 11ms
	Handling Drop	4ft drop onto steel plate 4ft drop onto 2inch plywood over concrete (MIL-STD 810G Compliant) 6ft drop with add-on bumper
Physical Characteristics	Dimension (W x H x D)	292 x 196 x 20 mm/ 11.5 x 7.7 x 0.79 inch
	Weight	1.1 kg/ 2.4lb (Base Configuration)
	Color	White
Regulatory Approvals	FCC Class B, CE, CB, IEC/ EN 60601-1	

## Dimensions



Unit: mm

## Front/Rear View



1. Status Indicator
2. Function Key (Programmable)
3. Front Camera (2MP)
4. Built-in MIC
5. Power Button
6. Extension I/O port
7. Docking I/O ports
  - Micro HDMI x1
  - USB 3.0 x 1
  - USB 2.0 x 1
  - Audio I/O
8. I/O Cover
9. Rear Camera (5MP)
10. Barcode Scanner (Optional)
11. SSD Cover
12. Built-in Speaker
13. Battery
14. Battery Latch
15. NFC

## Ordering Information

Part Number	Description
MIT-W101-Q04DNA00E	N2930/ 4GDDR/ 64GSSD/ WiFi/ BT/ White/ WES8
MIT-W101-Q04DNAF2E	N2930/ 4GDDR/ 64GSSD/ WiFi/ BT/ Barcode/ White/ WES8

Part Number	Description
1700018704	Power Cord UK BSI 2P 10A 250V 180cm 18AWG
1702002605	Power Cord 2P FRANCE 10A/16A 220V 1.83M 90D
1702002600	Power Cord 3P UL/CSA(USA) 125V 10A 1.83M 180D

▪ For sales inquiries or further information, please contact us: [Mobile@advantech.com.tw](mailto:Mobile@advantech.com.tw)