

AMiS-60



Features:

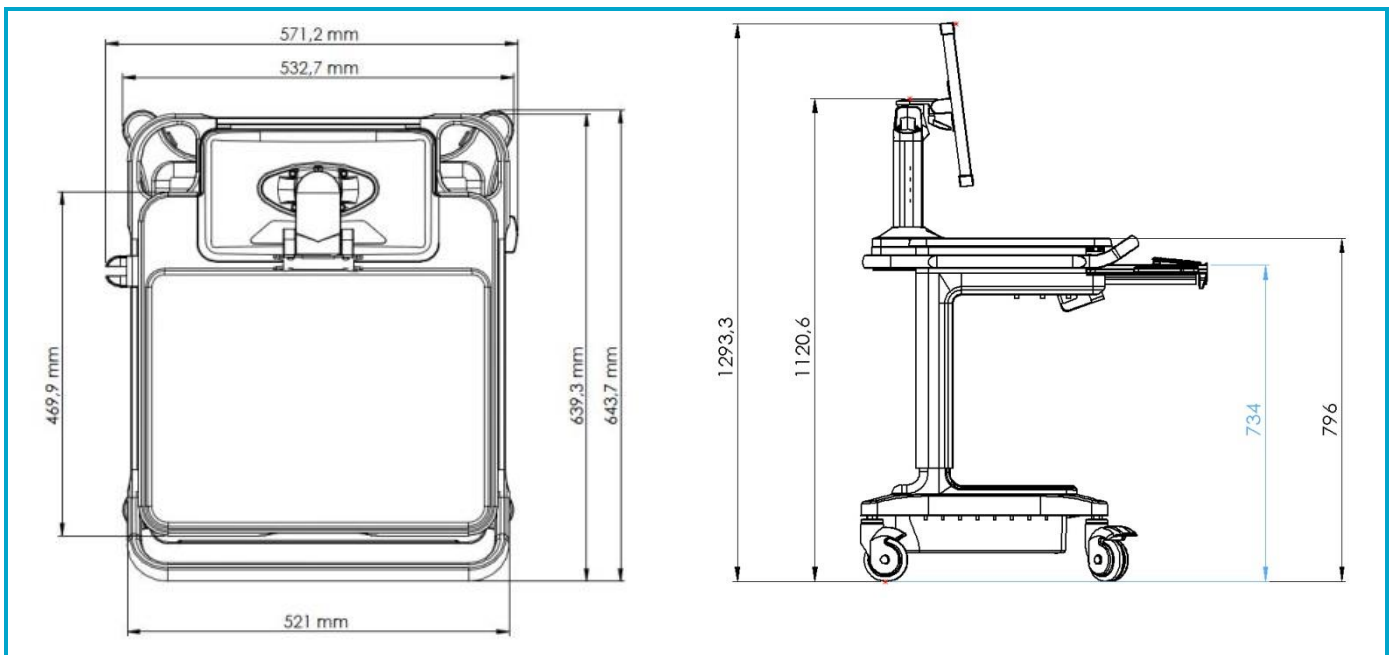
- Ergonomic design for ease of use, cleaning and mobility
- Great flexibility for customization / configuration / integration
- Designed for safety / reliability / easy maintenance
- Intelligence enabled by AMiS_Link
- Efficient Total Cost of Ownership (TCO)
- Medical approved (EN60601-1)
- Wide range of accessories available
- Ready for the future



Specifications

		iPC-213	iPC-181	iPC-230	
Internal Computer (optional)	CPU	Intel Atom D525 1.8 GHz	Intel Core i7 - 2610UE 1.5 GHz Sandy Bridge	Intel Core i5 -4300U 1.9 GHz	
	Memory (standard)	2GB DDR3 SODIMM	2GB DDR3 SODIMM	8GB DDR3L SODIMM	
	Memory (maximum)	4GB	16GB	16GB	
	Storage (standard)	2.5"SATA HDD 160GB	2.5"SATA HDD 160GB	3.5" SATA HDD 500GB	
	Storage (optional)	2.5"SSD 16/32/64GB	2.5"SSD 16/32/64GB	128GB SSD	
	WLAN	802.11a/b/g/n	802.11a/b/g/n	802.11a/b/g/n	
	I/O Ports		1x VGA (2048 x 1536)	1x DVI (1366 x 768 WXGA)	1x DP/HDMI (max 3200 x 2000 at 60 Hz)
			1x DVI (1600 x 1200)		
Benchmark Score		700	2454	3713	
	Display (optional)	Size	Up to 22" with VESA mounting (for sizes bigger than 22" please check with your local AMiS dealer)		
		Resolution	Depends on type monitor and computer (please check with your local AMiS dealer)		
		Touchscreen	Depends on type monitor		
Base Cart	Footprint	20.5" x 24.7" (520.7 mm x 627.3 mm)			
	Casters	Medical casters, two front locking, two non-locking			
	Height adjustment range	31.4" - 45.1" (797.5 mm x 1145.5 mm)			
	Cart weight	106.5 lb /46.5 kg w/o Display, Computer and Power module			
	Neck	Din rail I/O Port: 4 x USB 2.0 ports, 1x Gigabit Ethernet interface (RJ-45)			
	Dashboard	Power supply button LED power button LED Fuel Gauge			
	Work surface	Weight Capacity: Up to 66 lb/30 kg 20.5" x 19.2" (520 x 490 mm) Din Mounting Rail (Rear, left and right)			
	Keyboard & mouse area	Keyboard Size: Up to 380 x 140 x 25 mm Keyboard Light Mouse bracket			
Power Module	Power input	90 - 264, 47 - 63Hz AC input			
	Battery type	LiFePO4(LFP)			
	Battery runtime	8 - 10 Hours			
	Battery charge time	3 - 6 Hours			
Certification	Certification	EN60601 - 1, CCC			
	Vibration	EN60601 - 1			
Management Software	AMiS_Link	Battery capacity indicator Alert (Battery capacity, temperature, wrong) Charging cycle statistics Standby, Turn off setting Report & Log file Multi-language			

Dimensions:



Neck I/O



Gigabit LAN 1x



4x USB 2.0