

PDC-W215

21.5" True Flat High Definition Medical LED Display

NEW



Features

- 21.5" MVA Panel with True Flat Design
- 2.3 Megapixel Color Image LED Monitor
- Supports Full HD 1920 x 1080
- High Contrast Ratio and Wide Viewing Angle
- PCAP Touchscreen (optional)
- 10-bit Look-Up Table (LUT) to reproduce optimized gray-scale tones
- IP protection degree: Front:IP65; Rear: IPX1

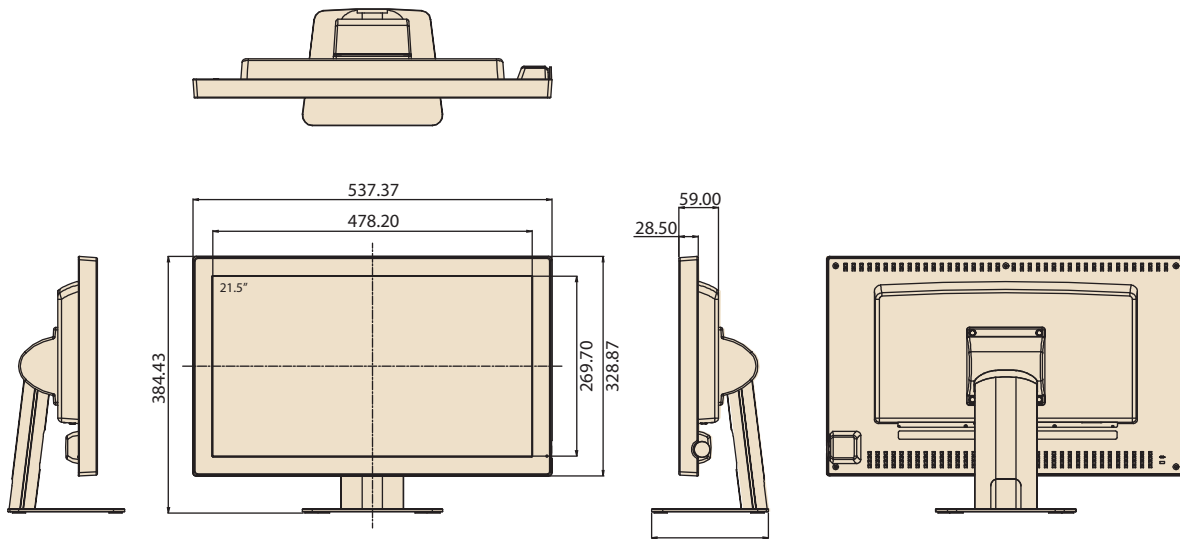


Specifications

Display	Display Type	21.5" TFT LCD LED backlight
	Native Resolution	1920 x 1080
	Color Depth	16.7 M
	Pixel Pitch	0.24825 x 0.24825 mm
	Active Screen Area	476.64 x 268.11 mm
	Contrast Ratio	3000:1
	Luminance	250 cd/m ² (Typ.)
	Viewing Angle (H/V)	178/178°
	Response Time	25 ms (Typ., on/off)
Color Temperature	Cool	9300° K color temperature
	Neutral	6500° K color temperature
	Warm	5400° K color temperature
	User	User adjustable RGB
I/O Ports	DVI	1
	VGA	1
	others	Display port x 1, audio x 1 P-cap: USB x 1, RS232 x 1
Functions	DICOM	Compatible to DICOM Part 14
	Calibration	YES
Power Supply	Power Adapter	Input: 100 ~ 250 V _{AC} , 0.6 A, 60/50 Hz universal Output: 12 V, 5 A
Power Consumption		On: <40 W; active off: <2 W
Physical Characteristics	Dimensions (W x H x D)	537.4 x 384.4 x 236.5 mm
	Weight	8.5 kg
	Mounting	VESA 100 x 100 mm
Certifications	CE	YES
	FCC	YES
	*EN60601-1	TBD
	*UL 60601-1	TBD

Dimensions

Unit: mm



Order Information

Part Number	Touch Panel	Adapter & Cable	Stand	Power
PDC-W215-DC-BTE	Yes	No	No	DC
PDC-W215-DC-BE	No	No	No	DC

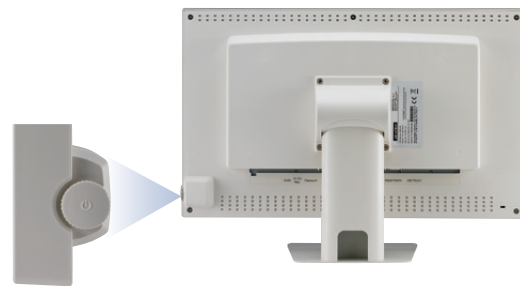
Accessories

Part Number	Description
PDC-W215-KITE	PDC-W215 KIT, with adapter
PDC-W215-STAND	Stand for PDC-W215 Display

True Flat Display Design

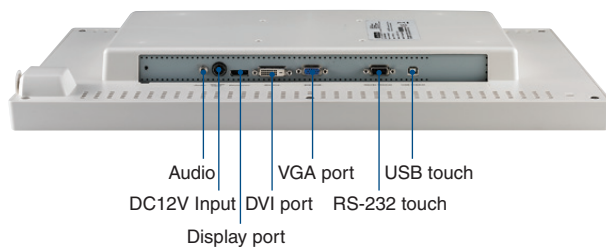


True Flat Display Design



User friendly fly key and OSD design make PDC-W215 easy to operate

Rear I/O



*Glass model without RS-232 touch/USB touch port